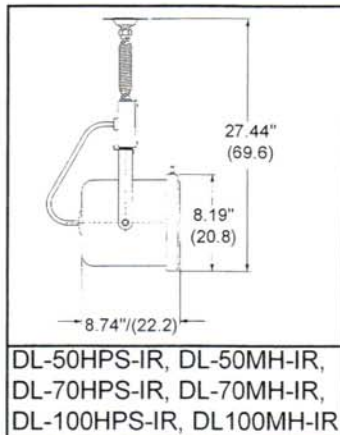
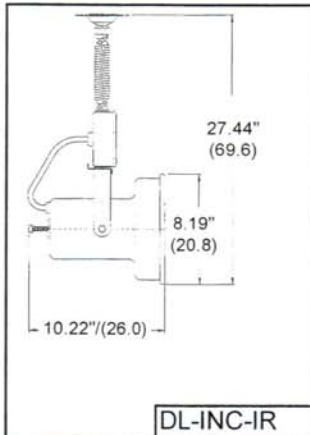


PHOENIX[®] IR SERIES

Impact Resistant

docklite[®]



3 YEAR WARRANTY

A three-year Limited Warranty against defects in material and workmanship. See Standard Terms and Conditions for details.

SPECIFICATIONS

- **HOUSING:** Steel housing with wear-resistant, high visibility thermoset powder-coated safety yellow finish.
- **SUSPENSION:** Spring suspension flexes when struck, absorbing impact and minimizing any potential damage.
- **TWIST GUARD:** Limits head rotation to prevent cord from tangling.
- **TOUCH CONTROL:** Vertical and horizontal positioning of head.

DESCRIPTION: The *IR Series* is ideal for mounting from a ceiling. Swivel mounting and spring suspension allow this fixture to swing out of the way when struck, then return instantly to the original position. The IR can be wall mounted with the Universal Mounting Bracket accessory. Length can be extended using standard 1/2" conduit.

- **WIRING:** 3-conductor cord. Can be attached to any 3" or 4" junction box.
- **WEIGHT IN POUNDS (kg):** Incandescent: 9 (4.1)
MH and HPS: 15 (6.8)

ORDERING INFORMATION

SERIES	WATT/TYPE	PART	OPTIONS (120V Standard)
DL	INC	IR	277
DL	INC 50HPS 70HPS 100HPS 50MH 70MH 100MH	IR	277V ¹

WATTAGE/TYPE

INC = Incandescent (PAR38/BR40, 300W max.)
HPS = High Pressure Sodium
MH = Metal Halide

OPTIONS

277V = 277 Volt
¹Available on HPS and MH models only.
120 Volt standard.

PART

IR = Impact Resistant

LIGHT HEAD ONLY



Use where no columns are available for side mounting. Available in incandescent (lamp not included) and 50 watt high pressure sodium models (lamp and glare guard included).

Order DL-300B1 (Incandescent)
Order DL-50 HPSB21

SAMPLE SPECIFICATIONS

Impact-Resistant task light. Accepts up to 300 watt PAR 38/BR40 incandescent lamps; 50, 70, and 100 watt ED-17 metal halide or high pressure sodium lamps (max. 277 volts). UL Listed. Meets Standard 1571 or 1572 - Dry Location. cUL Listed for indoor use only. Steel housing with thermoset powder-coated safety yellow finish. Touch control. Non-twist cord guard. Swivel mounting and spring suspension. HID units are integrally ballasted and have an aluminum specular reflector.

ACCESSORIES

UNIVERSAL MOUNTING BRACKET

Enables wall mounting to accommodate overhead doors that open inward. Mounts at or above door header out of the way of equipment and freight movement. Minimizes possibility of a door closing on light fixture.

Order: UB-1



WIRE LAMP GUARD

Provides maximum protection against lamp theft or damage. Recommended for fixtures near combustible materials. Meets OSHA requirements for lamp and personnel protection. Installs easily. Hinged for relamping. Will not fit over glare guards. 7¹/₂" (19 cm) diameter. For modular heads and IR models.

ORDER: WG-1



GLARE GUARDS

Reduces glare and protects against lamp theft or damage. Meets OSHA requirements for lamp and personnel protection. 7¹/₂" (19cm) diameter for incandescent modular and IR models (comes standard on modular HPS and MH models).

ORDER: GG-1



COMPLIANCES



Listed **UL 1571 Listed - Incandescent**
UL 1572 Listed - HID
Dry Location



cUL Listed for indoor use only.

LAMPING DATA

Fixture	Type	Watts	Bulb	Base	Phoenix Part No.
INC	Incandescent/Halogen PAR	Up to 300	PAR38/BR40	Med. Skt/Med.	4220043 QH90PAR 4220044 QH250PAR
50HPS	HPS	50	ED17	Med.	4211300
70HPS	HPS	70	ED17	Med.	4212600
100HPS	HPS	100	ED17	Med.	4212700
50MH	MH (open fixture rated)	50	ED17	Med.	4220001
70MH	MH (open fixture rated)	70	ED17	Med.	4220031
100MH	MH (open fixture rated)	100	ED17	Med.	4220039

N-5610292A