

Measuring to Place an Order for a Single Panel Door



NOTE: DO NOT MEASURE THE DOOR.

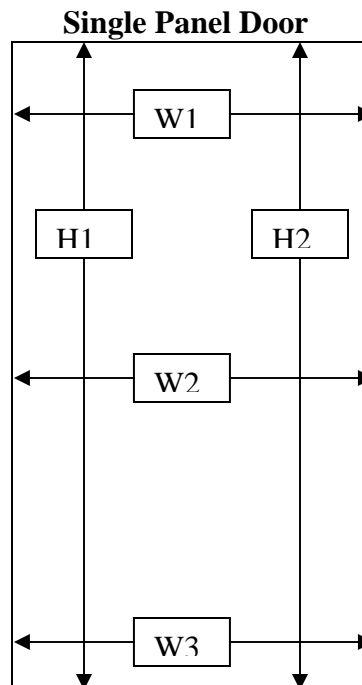
Measure the doorway opening in INCHES.

1st – Measure the height of the opening at EACH side.

2nd – Measure the width of the opening at the TOP, MIDDLE & BOTTOM.

**See Drawing Below*

Choose either a left or right side hinge from customer area side...not the kitchen side!



W1 = _____

W2 = _____

W3 = _____

H1 = _____

H2 = _____

Your Service-Pro will be manufactured to the exact measurements that have been provided to Curtron Products.

Signature _____

Date _____