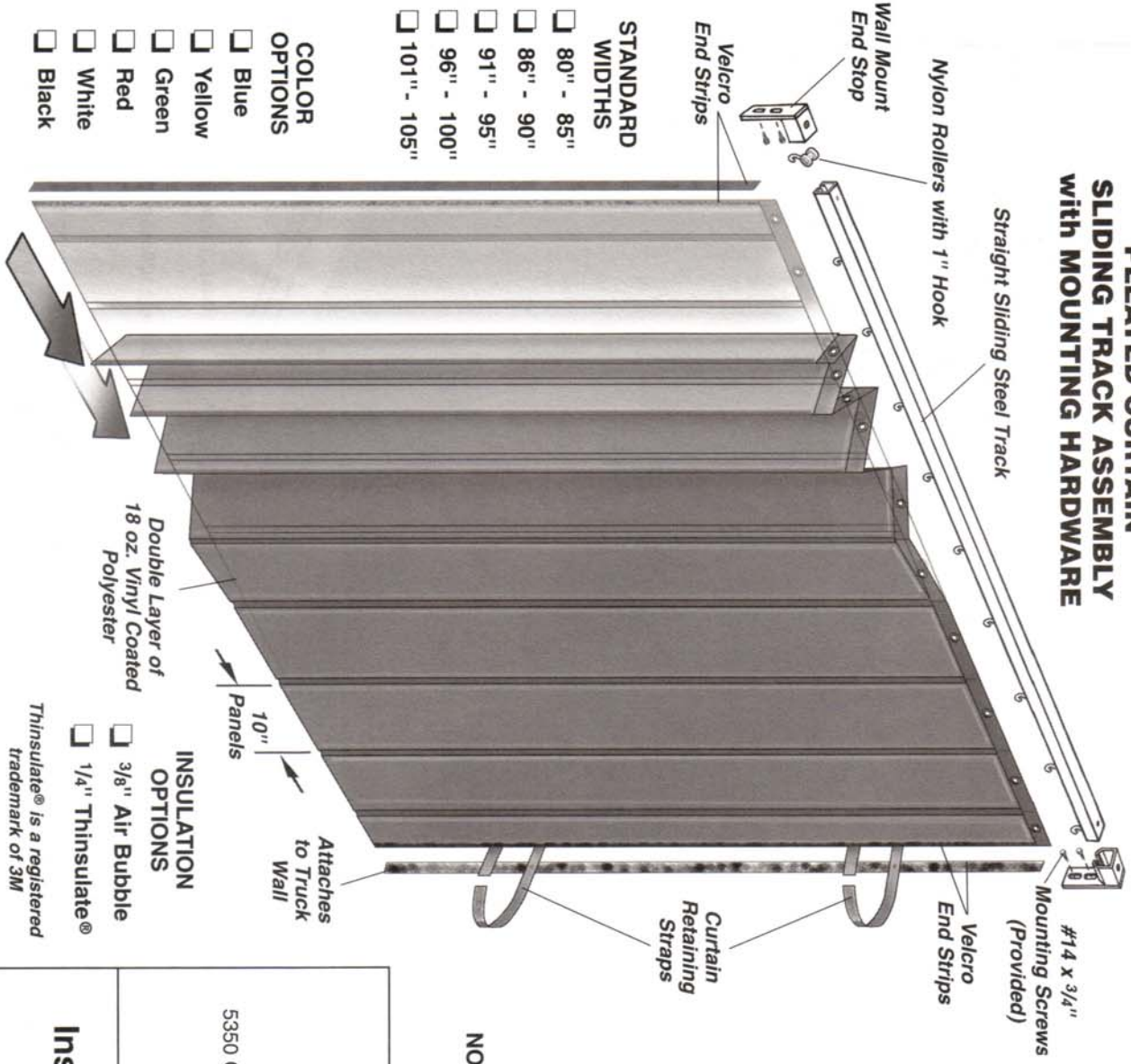


**PLEATED CURTAIN
SLIDING TRACK ASSEMBLY
WITH MOUNTING HARDWARE**



- STANDARD WIDTHS**
- 80" - 85"
 - 86" - 90"
 - 91" - 95"
 - 96" - 100"
 - 101" - 105"

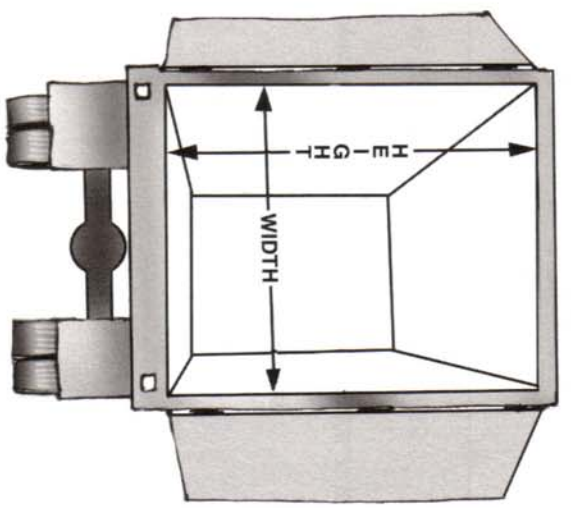
- COLOR OPTIONS**
- Blue
 - Yellow
 - Green
 - Red
 - White
 - Black

Double Layer of
18 oz. Vinyl Coated
Polyester

- INSULATION OPTIONS**
- 3/8" Air Bubble
 - 1/4" Thinsulate®

Thinsulate® is a registered trademark of 3M

MEASURING YOUR DOOR



Door WIDTH in inches _____ "

Door HEIGHT in inches _____ "

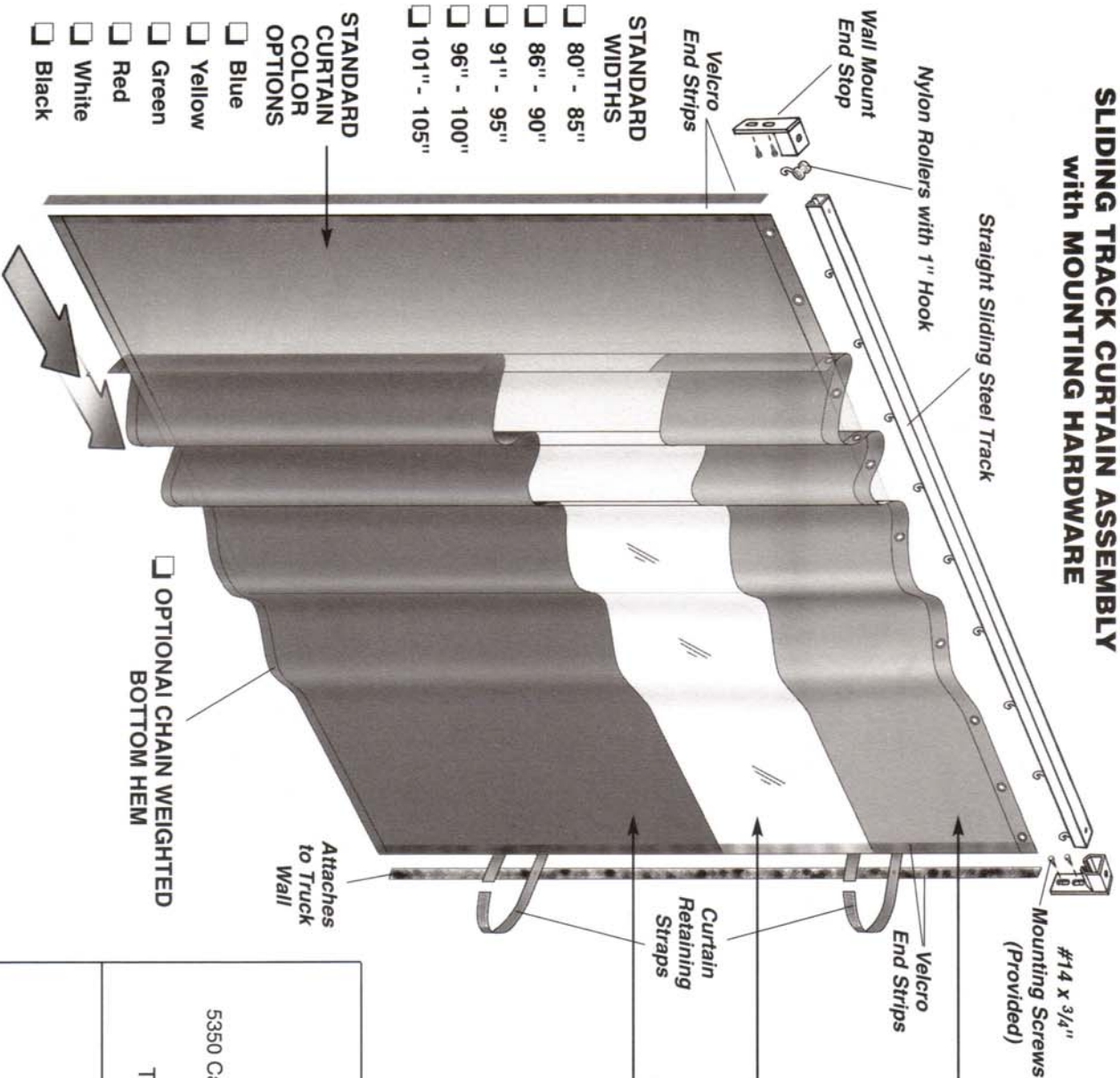
NOTE: For Rolling Door applications, deduct clearance required for door track.



5350 Campbells Run Road • Pittsburgh, PA 15205-9738
800-833-5005
Tel: 412-787-9750 • Fax: 412-787-3665

**Insulated Pleated Sliding Curtain
for Refrigerated Trucks**

**SLIDING TRACK CURTAIN ASSEMBLY
with MOUNTING HARDWARE**



#14 x 3/4"
Mounting Screws
(Provided)

**Solid Opaque Material
18 oz. Vinyl Coated Polyester**

OPTIONAL DESIGN WITH VISION STRIP

Top Section

- COLOR OPTIONS**
- Blue Red
 - Yellow White
 - Green Black

Middle Section

**VISION STRIP - STANDARD
Clear PVC**

Bottom Section

- COLOR OPTIONS**
- Blue Red
 - Yellow White
 - Green Black

- STANDARD WIDTHS**
- 80" - 85"
 - 86" - 90"
 - 91" - 95"
 - 96" - 100"
 - 101" - 105"

- STANDARD CURTAIN COLOR OPTIONS**
- Blue
 - Yellow
 - Green
 - Red
 - White
 - Black

- OPTIONAL CHAIN WEIGHTED
BOTTOM HEM**

Attaches to Truck Wall



5350 Campbells Run Road • Pittsburgh, PA 15205-9738
800-833-5005
Tel: 412-787-9750 • Fax: 412-787-3665

Sliding Curtain for Refrigerated Trucks